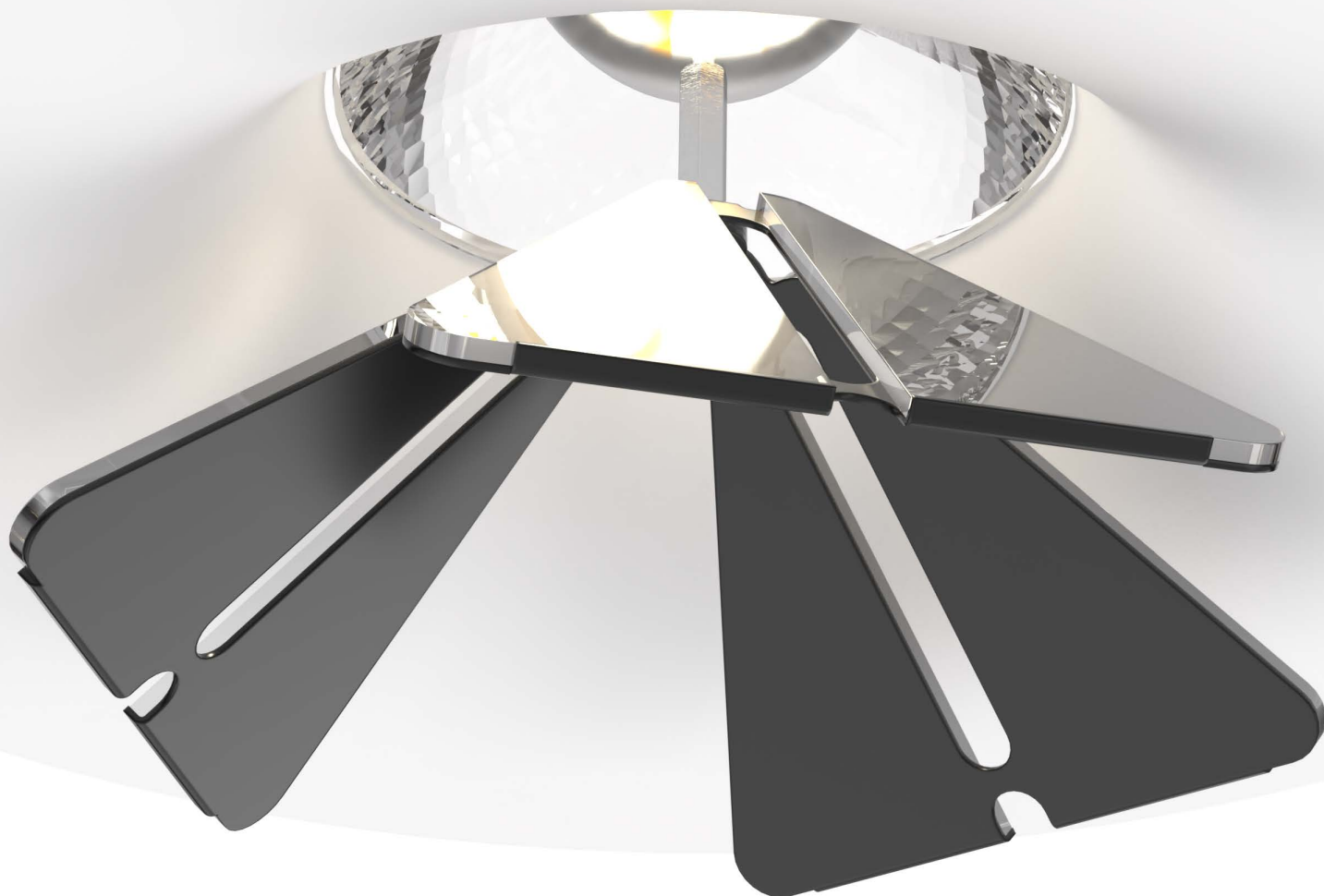


Otis GII Series

Downlighters



> Otis GII Series Downlighters

The Otis series is the LED solution for replacing the current SWT/CDMT mirror fittings in furniture showrooms. The Otis fixture series is completely designed in the Netherlands in cooperation with a number of successful furniture/retail entrepreneurs. The Otis fittings are produced in our own production department in Wijchen, near Nijmegen.

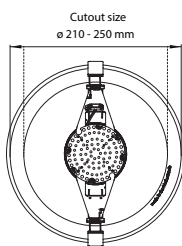
In recent years thousands of traditional mirror fittings have been replaced by the CLS Otis. Meanwhile, the CLS engineers have further developed the fixture and we present you the new Otis, generation 2.



What makes the 2nd generation Otis so unique:

Applicable in every ceiling hole from 210 mm to 250 mm

Thanks to the modular front construction of the Otis and the variable recessed size, it is possible to replace no less than 98% of all existing fixtures in terms of recessed size, one-to-one. You are therefore not bound to specific brands in existing situations.



Large choice of colour temperatures

The Otis offers a choice of no less than 4 different light colours:

- > Ultra warm white (2500K), to replace SWT fixtures.
- > Extra warm white (2700K), for traditional collections.
- > Warm White (3000K), contemporary light colour, the choice of 90% of entrepreneurs in the furniture sector.
- > Bright White (3500K), this colour is particularly suitable for kitchens and bathrooms.



2500K



2700K



3000K



3500K

Extremely good colour rendering

The majority of LED downlighters, and certainly traditional PL and CFL fixtures, are designed to achieve the highest possible light output, with an inferior light quality. The Otis, on the other hand, has been designed with the best colour rendering as a requirement, without compromise.

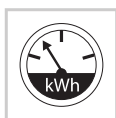
In our lighting laboratory, we spent months testing a variety of sofa fabrics, different types of wood and other materials. The result? The most beautiful and natural colour rendition of furniture and fabrics. So the light-grey sofa that a customer has bought does not look any different at home.

"We regularly hear from entrepreneurs in the furniture industry that there are far fewer discussions with customers about colour schemes of fabrics and other materials. As a result, the return rate is measurably lower."

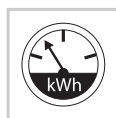
Thanks to the high quality of the light, the products get the attention they deserve and the fixtures from CLS help increase sales.

Available in different wattages

Depending on the height of the ceiling and the desired amount of light, you can choose between a 37 watt and a 55 watt version.



37 watt



55 watt



Jansen Totaal Wonen , Huissen



Large selection of control and dimming options

For even greater savings on energy and replacement costs, it is possible to equip the Otis GII with smart electronics and sensors. For example, to dim the light when there are no visitors in a department and to smoothly increase the light intensity when motion is detected.

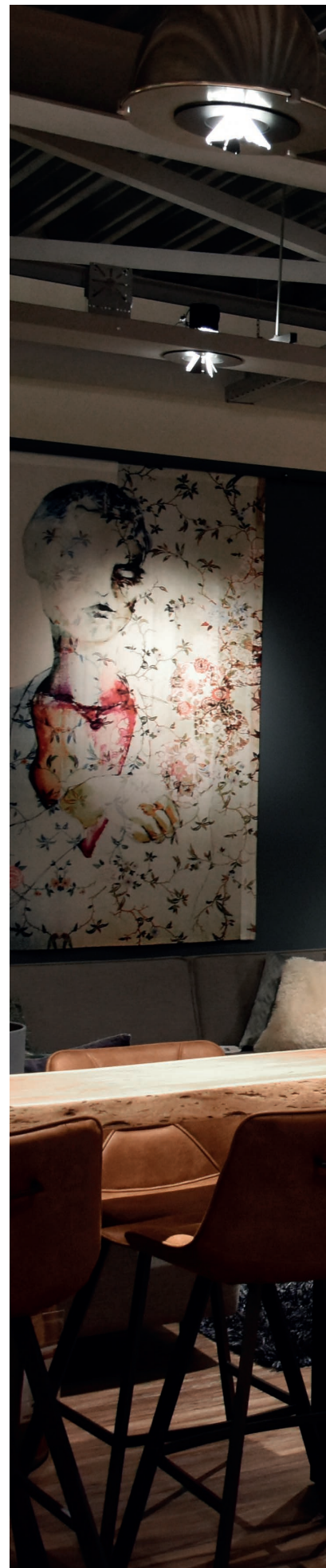
CLS can equip its fixtures with the following control systems:

- > DALI
- > Casambi control, for ultimate ease of use and making rooms and buildings smart, without having to lay an extensive (data) network.



CASAMBI

> **Otis GII Series** Downlighters





Hoogenboezem, the Netherlands

LED lighting solutions **designed & made** in the Netherlands since 2002

cls-led.com



ESS CLASS
NG COLLECT N

PERFECT



Henders en Hazel, the Netherlands

> Otis GII Series Downlighters

A Sound Investment

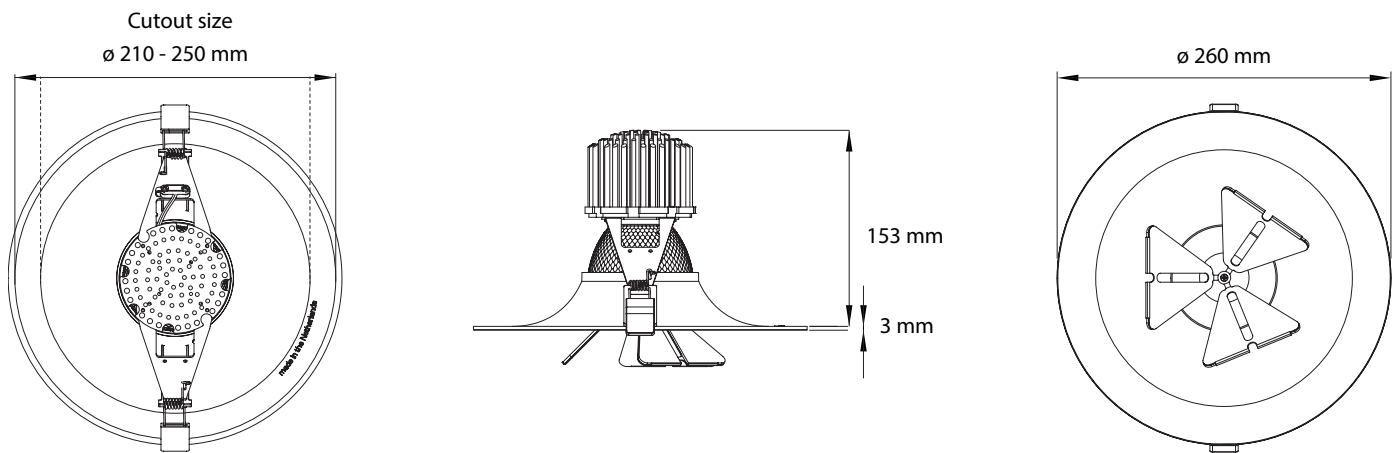
The Otis uses high-quality components. No compromises are made regarding the quality of individual components. The high-quality LED module and power supplies guarantee a long service life.

Unlike many other suppliers on the market, **CLS actually designs and produces its fixtures in the Netherlands**. CLS belongs to a group of companies with more than 30 years of expertise in the professional lighting business.

For the Otis series, we offer:

- > 5 years warranty.
- > A demonstration on site.
- > Advice on the correct lighting of your collection.

Measurements Otis GII Series



Technical specifications

LED:	CoB	Power supply:	1050mA
Single colours:	CRI>90 : 2700K, 3000K, 3500K & 4000K CRI>95 : 2700K, 3000K & 4000K	Housing:	PC / aluminium
Beam angle:	19°, 30° & 50°	IP value:	IP20
Luminous flux:	on request	Cable length:	150 cm
Power consumption:	37 of 55 Watt	Weight:	1400gr
		Ambient temperature:	-10 °C tot +40 °C

Colour and colour temperatures



Optics



Finish



General specifications



Mounting options



Control options

