

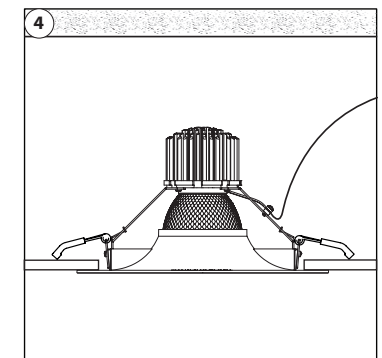
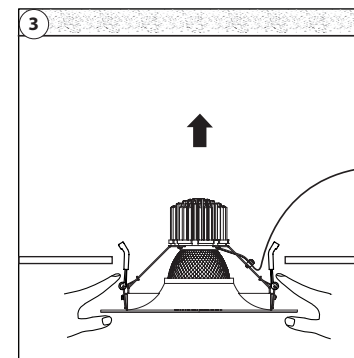
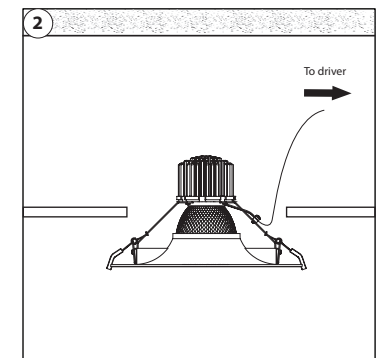
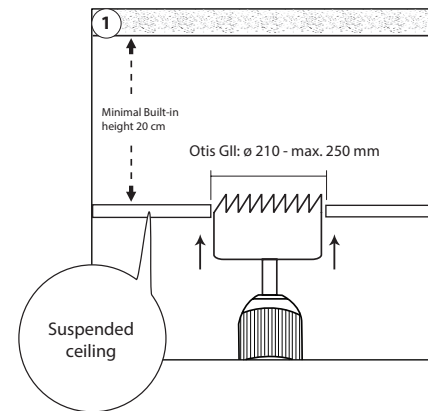
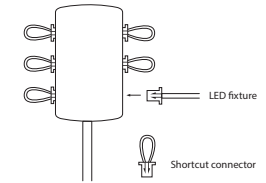
## Specifications

LED:	1 x High Power LED
Available colours:	CRI>90: 2500K, 2700K, 3000K & 4000K CRI>95: 2700K, 3000K, 3500K & 4000K
Beam angle:	15°, 30° or 50°
Power supply:	48 VDC
Power consumption:	max. 37 Watt or max. 55 Watt
Housing:	PC / aluminium
Weight:	1300 gr
IP value:	IP20
Ambient temperature:	-10° C till +40° C

2025 CLS-LED BV. All rights reserved. Information subject to change without notice. CLS-LED BV and all affiliated companies disclaim liability for injury, damage direct or indirect loss, consequential or economic loss or any other loss occasioned by the use of, inability to use or reliance on the information contained in this manual. No part of this manual may be reproduced, in any form or by any means, without permission in writing from CLS-LED BV. Other legal information can be found in our General conditions, found on the back of your CLS-LED BV invoice, inside the CLS catalogue or on our website [www.cls-led.com/General-Terms.pdf](http://www.cls-led.com/General-Terms.pdf)

## Before use, read this carefully

- > Always disconnect the power before connecting the LED fixtures otherwise this will cause **serious damage!**
- > Make sure the unused outputs has been shorted with a shortcut connector before connecting the power.
- > Before use please check the correct dipswitch setting. (See sticker on the driver)

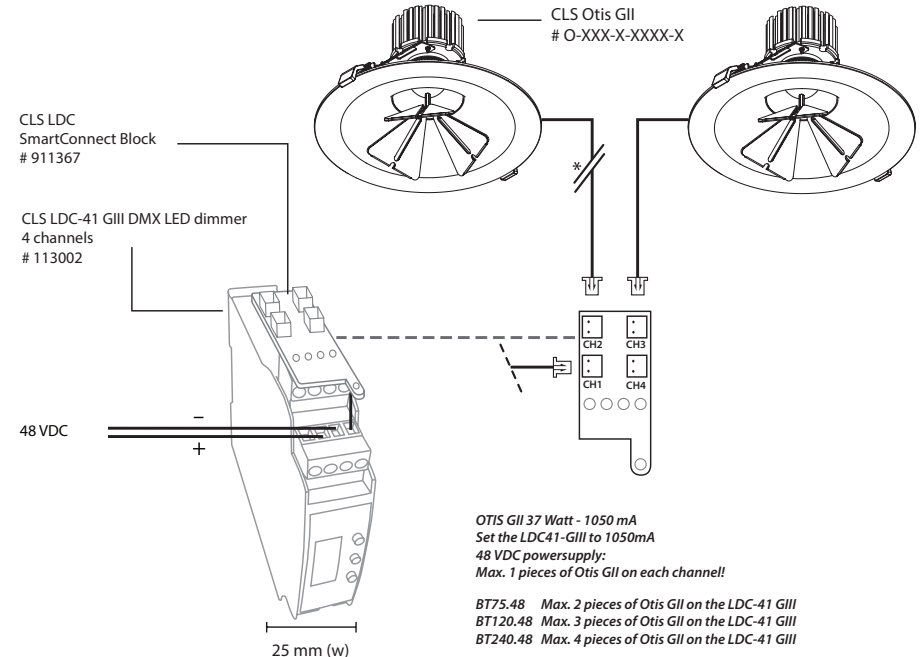
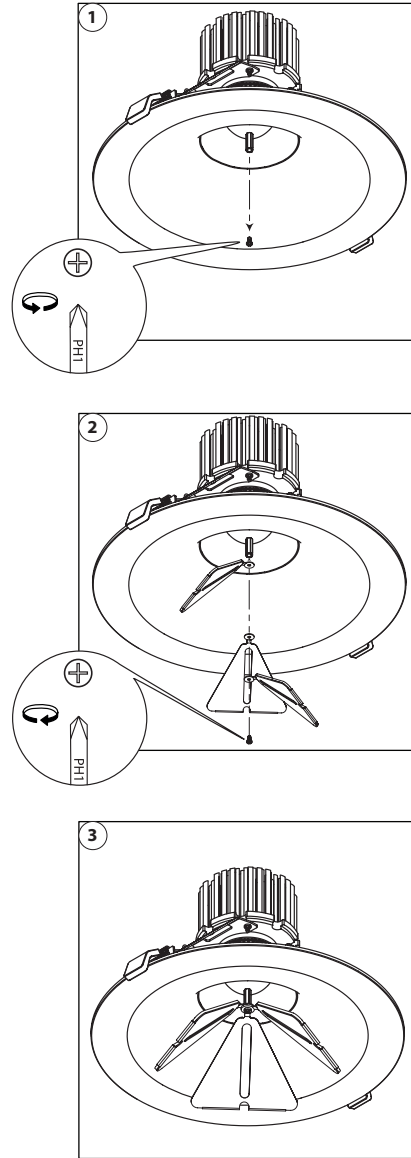
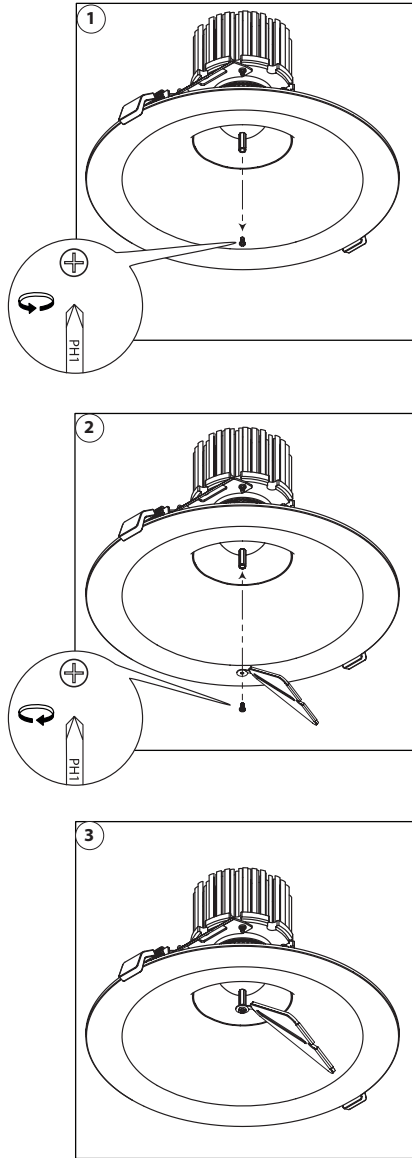


# MIRROR ASSEMBLY

# WIRING DIAGRAM LDC-41 GIII DIMMER

**Example I**

**Example II**



\* 150 cm cable  
 Installation wire 2 x 0.5 mm<sup>2</sup>  
 Driver till last Otis GIII total cable length is max. 10 m

**OTIS GIII 37 Watt - 1050 mA**  
 Set the LDC41-GIII to 1050mA  
 48 VDC powersupply:  
 Max. 1 pieces of Otis GIII on each channel!

**BT75.48** Max. 2 pieces of Otis GIII on the LDC-41 GIII  
**BT120.48** Max. 3 pieces of Otis GIII on the LDC-41 GIII  
**BT240.48** Max. 4 pieces of Otis GIII on the LDC-41 GIII

**OTIS GIII 55 Watt - 1400 mA**  
 Set the LDC41-GIII to 700mA, two channels bridged  
 48 VDC powersupply:  
 Max. 1 piece of Otis GIII on each channel!

**BT75.48** Max. 1 pieces of Otis GIII on the LDC-41 GIII  
**BT120.48** Max. 2 pieces of Otis GIII on the LDC-41 GIII

ACCESSORIES	
113002	CLS LDC-41 GIII DMX LED dimmer 4 channels 0.35-1A per channel
87129900	CLS SmartConnect 2-fold junction box & shortcircuit connect.
87129905	CLS SmartConnect, 6-fold junctionbox & shortcircuit connect.
87129915	CLS SmartConnect short circuit plugs (10pcs)
87129959	CLS SmartConnect extensioncable betw. 2 junctionboxes 5mtr
911367	CLS LDC Smartconnect block
707018	CLS BT75.48 LED power supply 48VDC, 75VA, 85-265 VAC
707019	CLS BT120.48 LED power supply 48VDC, 120VA, 85-265 VAC
707020	CLS BT240.48 LED power supply 48VDC, 240VA, 85-265 VAC

# LIST OF SYMBOLS

	<b>Protection class</b> One, two or three		<b>Retail &amp; Food LED modules</b> Clothing, furniture, kitchens, jewellery, shoes, bread, meat, fish and vegetables & fruit.
	<b>Application area</b> Indoor or outdoor		<b>Colour</b> Available colours: Amber, blue, red or green
	<b>Application area</b> Floor, wall or ceiling		<b>White colour temperature</b> In different Kelvin values; Cold white, neutral white, warm white or extra warm white
	<b>Swivel</b> Fixture is horizontally rotatable, indicated in degrees		<b>Curve</b> Minimal bending curve in centimeters
	<b>Swivel</b> Fixture is vertically rotatable, indicated in degrees		<b>Cutting length</b> Indicated by the cutting marks
	<b>Multiple connection</b> Daisychain connectivity		<b>LED pitch</b> Pitch between the LEDs in millimeters
	<b>Installation depth</b> In centimeters		<b>Power supply</b> In VDC, VAC or milliAmpere
	<b>Installation size</b> In centimeters		<b>Power consumption</b> In VA or watt
	<b>Cable length</b> Maximum cable attached to the fixture in centimeters		<b>Dimmable</b> 1-10 Volt, Phase, individual, DMX dimmable or DALI
	<b>Driver</b> Inclusive or exclusive Internal or external		<b>PWM dimming</b> Traditional PWM dimming, DMX analog or DMX Hybrid dim
	<b>Weight</b> In grams/kilograms		<b>DMX dimming</b> DMX analog or DMX Hybrid dim
	<b>Pressure</b> Maximum pressure on the fixture in kg/cm <sup>2</sup>		<b>Bluetooth controlled</b> By Casambi
	<b>Lifespan</b> Of the light source in hours		<b>Magne dimming</b> Accurate dimming from 100 - 1% by using a magnet
	<b>Lenses</b> Available lenses, indicated in degrees		<b>Dynamic Control</b> Dynamic Power Control or Dynamic Temperature Control
	<b>Performance Zoom</b> Adjustable beam angle		<b>DMX input</b> Fixture works on DMX512 protocol or Wireless DMX
	<b>LEDs</b> Kind of LED used in the fixture		<b>Combined product</b> Compose your own fixture
	<b>Plug &amp; play</b> Easy connection using the SmartConnect system		<b>Warranty</b> 3 or 5 years warranty on the product
	<b>IP value</b> Ingress Protection classifies the degrees of protection provided against the intrusion of the product		<b>Conformité Européenne</b> CE marking for free marketability of industrial goods within the EU
	<b>Colour changing</b> RGB, RGB-W, RGB-A, AWB or Tunable White		<b>Energy label</b>
			<b>Lightsource</b> Equipped with a CLS, Bridgelux or a Xicato LED module